



# VC Limo | 6 Seater

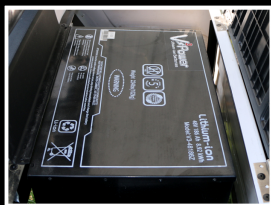
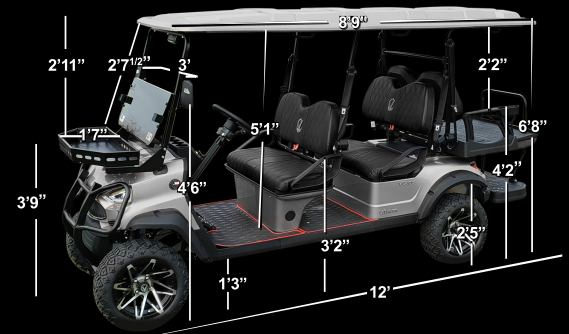
## Included Features & Options

48V 5Kw Motor	LED Head / Tail Lights
400A AC Controller	Electric Horn
Locking Gloveboxes	Battery Power Gauge
Galvanized Chassis	Turn Signals
6 Cup Holders	USB / 12v Auxiliary Port
Tinted Foldable Windshield	Blinking Hazard Lights
4" Lift Kit	Digital Speedometer
Off Road Bumpers	23"x10-12" Off Road Tires
Fold Down Rear Seat	Aluminum / Black Wheels
Standard Cart Body	Side Mirror Blinkers

## Color Options



**Weight** 1,305lbs (590kg)



## + LITHIUM-ION BATTERY

- Single Module Battery
- Lithium-ion Battery Charger
- 48V, 186Ah 8.92Kwh
- 12v Converter
- Maintenance Free
- 224lbs (102kg)





# VC Cruiser | 4 Seater

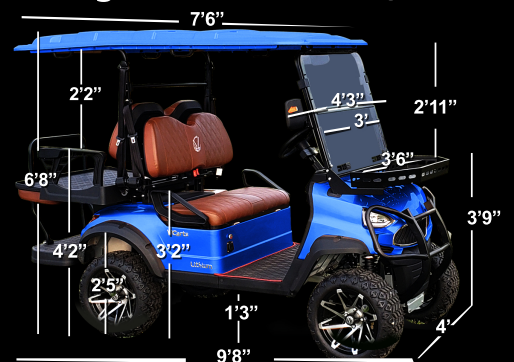
## Included Features & Options

48V 5Kw Motor	LED Head / Tail Lights
400A AC Controller	Electric Horn
On Board Charger	Turn Signals
Galvanized Chassis	Side Mirror Blinkers
Battery Power Gauge	Rear View Mirrors
USB / 12v Auxiliary Port	6 Cup Holders
Tinted Foldable Windshield	Blinking Hazard Lights
4" Lift Kit	Digital Speedometer
Off Road Bumpers	23"x10-12" Off Road Tires
Fold Down Rear Seat	Aluminum / Black Wheels

## Color Options



**Weight** 1,125lbs (510kg)



## + LITHIUM-ION BATTERY

- Single Module Battery
- Lithium-ion Battery Charger
- 48V, 108Ah
- 12v Converter
- Maintenance Free
- 142lbs (64.4kg)





## ECO 4 | 4 Seater

### Color Options



Weight 1,041lbs (472.2kg)

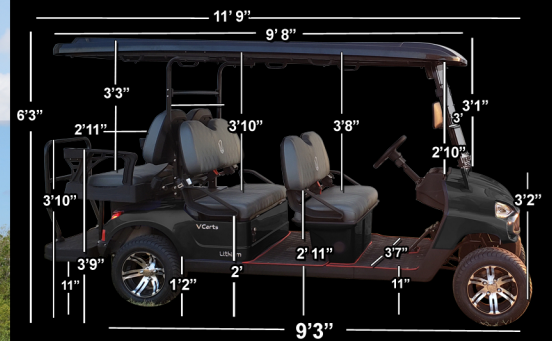


### Included Features & Options

48V 5Kw Motor	LED Head / Tail Lights	Tinted Foldable Windshield	Locking Glovebox
400A AC Controller	Electric Horn	Rear View Mirrors	Digital Speedometer
On Board Charger	Battery Power Gauge	Contoured Bumper	21" x 9.5 - 8" Turf Tires
Galvanized Chassis	Turn Signals	Fold Down Rear Seat	Aluminum / Black Wheels
6 Cup Holders	USB / 12v Auxiliary Port	Diamond Stitched Seats	Rubber Floor Mats



## ECO 6 | 6 Seater



Weight 1,175lbs (533kg)



### + LITHIUM-ION BATTERY

- Single Module Battery
- Lithium-ion Battery Charger
- 48V, 108Ah 5Kw
- 12v Converter
- Maintenance Free
- 142lbs (64.4kg)



VCARTS Inc.  
500 Stonegate Dr.  
Katy, Texas 77494  
1-888-325-1596

www.V<sup>3</sup>-POWER.com

www.VCARTS.com

VCARTS INC.



# THE GOLF | 2 Seater

## Included Features & Options

48V 5Kw Motor	Sand / Seed Dispenser
400A DC Controller	Beverage Cooler
Galvanized Chassis	Locking Glovebox
Standard Cart Body	Digital Speedometer
Tinted Foldable Windshield	Turn Signals
18" x 9.5 - 8" Turf Tires	Floor Mat
Aluminum / Black Wheels	Front Bumper
Electric Horn	Tool Kit
USB / 12v Auxiliary Port	Side Mirror Blinkers
LED Head / Tail Lights	Rear View Mirrors

## Color Options



**Weight** 960lbs (435.45kg)



## + LITHIUM-ION BATTERY **V<sup>3</sup>Power** Lithium-ion Batteries

- Single Module Battery
- Lithium-ion Battery Charger
- 48V, 108Ah 5Kw
- 12v Converter
- Maintenance Free
- 142lbs (64.4kg)



[www.V<sup>3</sup>-POWER.com](http://www.V3-POWER.com)

[www.VCARTS.com](http://www.VCARTS.com)